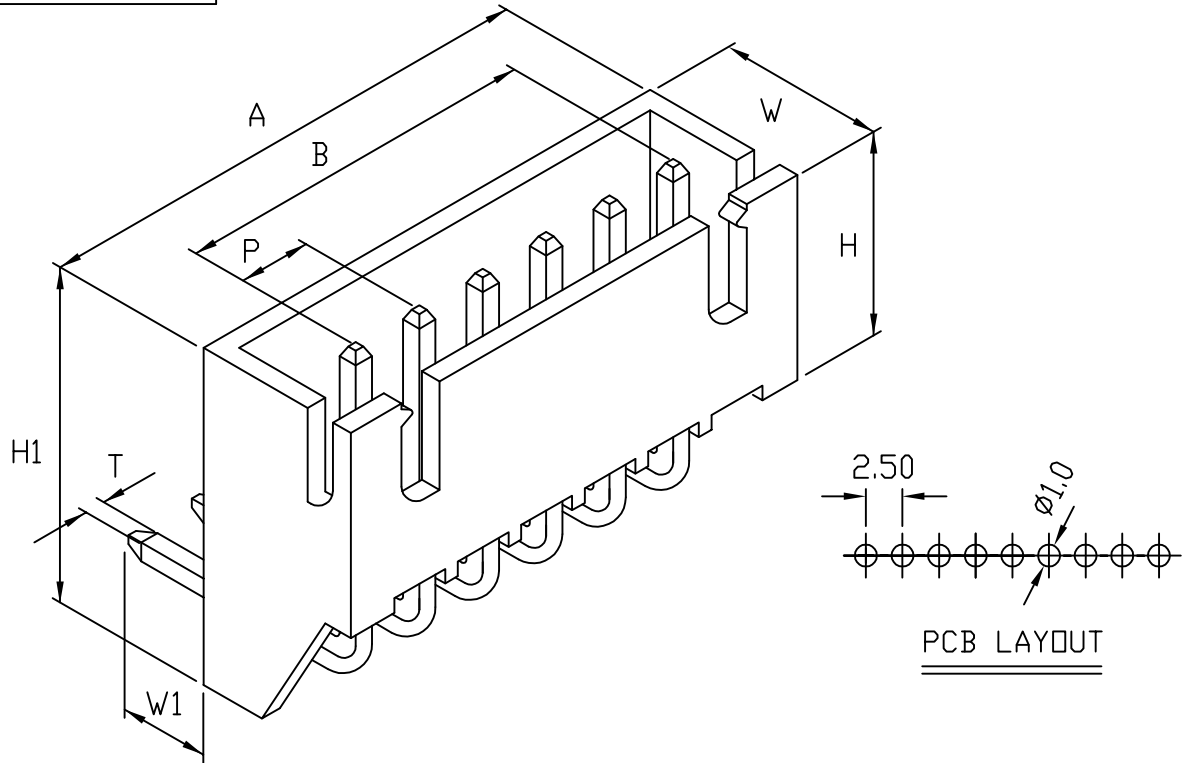


成品製造管制圖

DRAWING OF FINISHED PRODUCTS

禁止使用1級環境管理物質  
Non-use Warranty for Level 1  
Prohibited Substances in Product.

Pich 2.5mm  
間距 (.098")



產品編號 Part No:

品名 Product: 塑膠公座 - DIP CONNECTOR - DIP

材質 Material: Housing: NYLON 94V-0

Contact Pin: Brass, Tin plated.

額定電壓/電流 Current Rating:

AC/DC 250V 3A (22~28AWG#)

絕緣阻抗 INS. Resistance: 1000M Ω Min.

耐電壓 Withstand Voltage: 1000V AC/1minute.

適用溫度 Operation Temp: -25°C ~ +85°C

顏色 Colour: 本色 (Natural)

DIMENSION: (MM)

P: 2.5 ± 0.1

W: 5.7 ± 0.2

W1: 3.3 ± 0.3

H: 7.0 ± 0.3

H1: 11.5 ± 0.3

T: □ 0.64 ± 0.03

| PIN | A ± 0.3 | B ± 0.2 |
|-----|---------|---------|
| 2R  | 7.40    | 2.50    |
| 3R  | 9.90    | 5.00    |
| 4R  | 12.40   | 7.50    |
| 5R  | 14.90   | 10.00   |
| 6R  | 17.40   | 12.50   |
| 7R  | 19.90   | 15.00   |
| 8R  | 22.40   | 17.50   |
| 9R  | 24.90   | 20.00   |
| 10R | 27.40   | 22.50   |
| 11R | 29.90   | 25.00   |
| 12R | 32.40   | 27.50   |

\* 本成品圖僅供參考, 若需做為承認用請聯絡就近業務員確認

(The drawing is for reference only, please contact the sales division nearby for final confirmation if it's for approval purpose.)