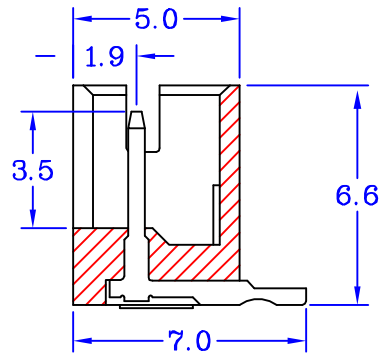
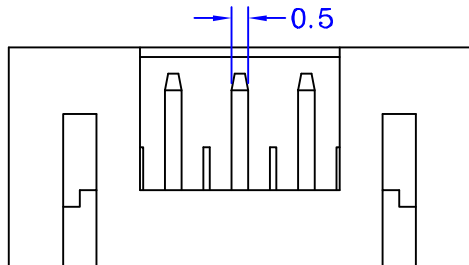
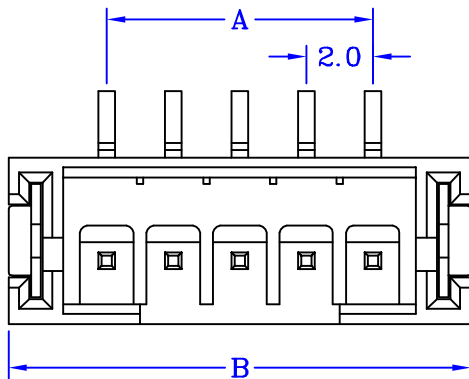
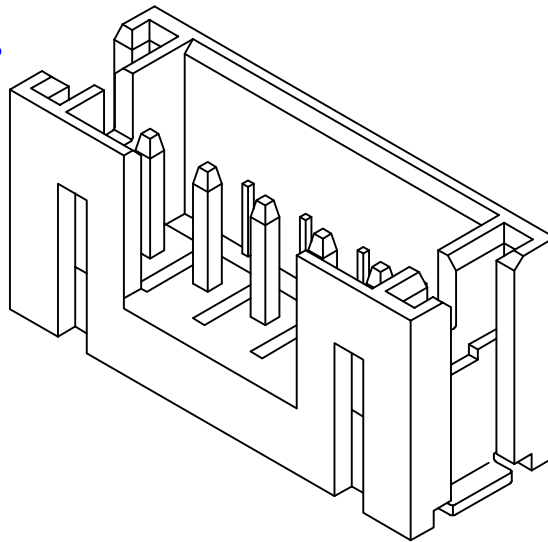


PCB LAYOUT



## SPECIFICATIONS

### ELECTRICAL

- Contact Current Rating : 2 Ampere AC/DC
- Contact Resistance : 20 mΩ Max
- Insulator Resistance : 1000 MΩ Min
- Dielectric Withstanding Voltage : 800V AC RMS 60 Seconds
- Voltage Rating : 100V DC

### MATERIAL

- Insulator : Nylon 46 UL94V-0
- Contact : Phos. Bronze
- Contact Plated : Tin Plated or Gold Plated

Operation Temperature : - 25°C to + 85°C

CONTACTS	DIMENSIONS	
	A	B
02	2.0	7.9
03	4.0	9.9
04	6.0	11.9
05	8.0	13.9
06	10.0	15.9
07	12.0	17.9
08	14.0	19.9
09	16.0	21.9
10	18.0	23.9
11	20.0	25.9
12	22.0	27.9
13	24.0	29.9
14	26.0	31.9
15	28.0	33.9
16	30.0	35.9

UNIT: mm