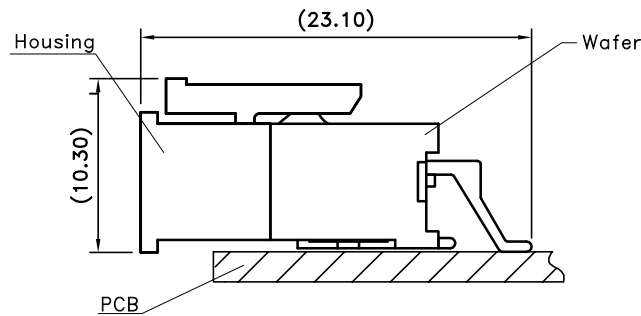
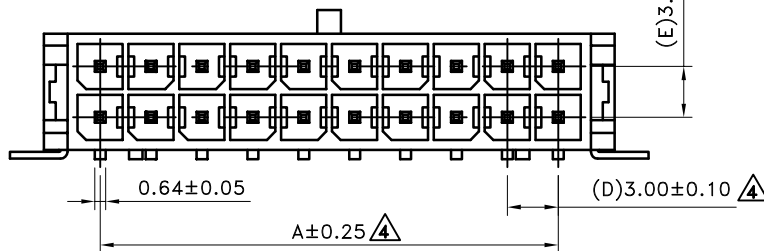
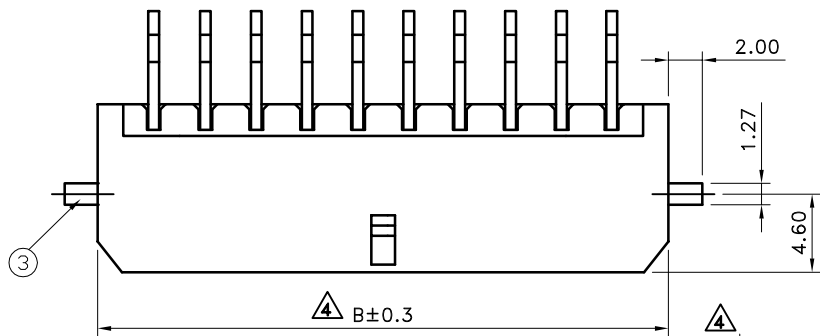
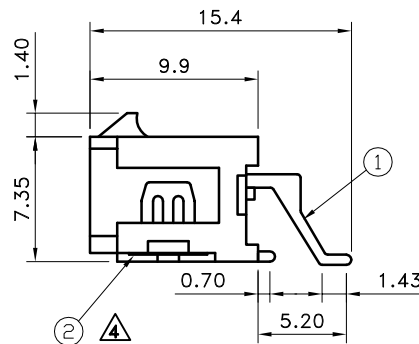


4 Recommended PCB Layout



4 Assemble state



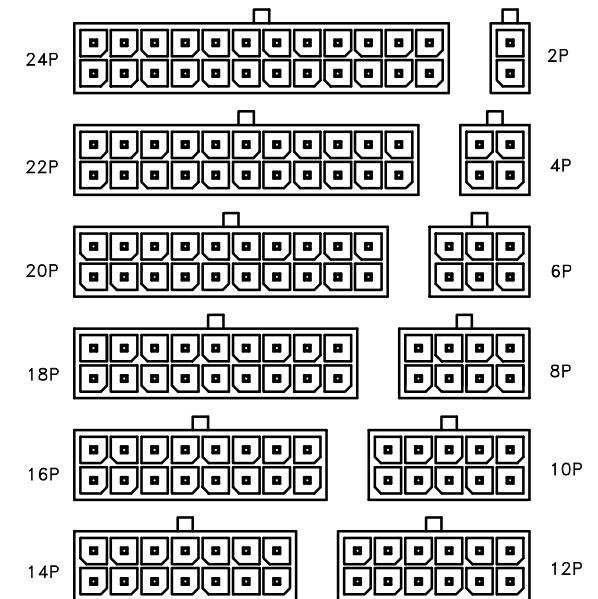
■ SPECIFICATIONS

- Current Rating : 5A AC/DC
- Withstanding Voltage : 1,500V AC/minute
- Insulation Resistance : 1,000M Ω min.
- 4 • Temperature Range : -40 °C ~ +105 °C
- Contact Resistance : 20m Ω max.

■ WAFER

- Poles : 2 - 24(Right Angle ; With Solder Nail)
- 4 • Material : 1.Contact : Brass , Tin Plated
2. Base : High Temp. LCP
3.Solder Nail :Brass , Tin Plated
- Q' ty : 300 pcs./Reel

| Poles | Dimensions(mm) | | | Poles | Dimensions(mm) | | |
|-------|----------------|-------|-------|-------|----------------|-------|-------|
| | A | B | C | | A | B | C |
| 2 | -- | 6.65 | 10.70 | 14 | 18.00 | 24.65 | 28.70 |
| 4 | 3.00 | 9.65 | 13.70 | 16 | 21.00 | 27.65 | 31.70 |
| 6 | 6.00 | 12.65 | 16.70 | 18 | 24.00 | 30.65 | 34.70 |
| 8 | 9.00 | 15.65 | 19.70 | 20 | 27.00 | 33.65 | 37.70 |
| 10 | 12.00 | 18.65 | 22.70 | 22 | 30.00 | 36.65 | 40.70 |
| 12 | 15.00 | 21.65 | 25.70 | 24 | 33.00 | 39.65 | 43.70 |



PART NO MCN-1008-0214

| APPROVED BY | SCALE | UNIT | TOLERANCE | LTR | REVISION RECORD | NAME | DATE | LTR | REVISION RECORD | NAME | DATE |
|-------------|------------|---------|------------|-----|-----------------------|------|------------|-----|-----------------|------|----------------------------------|
| | | mm | .0 ±0.30 | 1 | 200601-011 | 林文彬 | 06/01/24 | 8 | | | |
| CHECKED BY | PROJ | VER NO. | .00 ±0.20 | 2 | 200606-004 | 林文彬 | 06/06/21 | 9 | | | |
| | | | .000 ±0.10 | 3 | 200811-013 | 黃科源 | 08/11/20 | 10 | | | |
| | ⊕ | a4 | ANGLE | 4 | 環境溫度變更-25°C to +105°C | 劉怡萱 | 2011/01/31 | | CUSTOMER | | |
| DRAWN BY | DATE | SIZE | 0° ±1° | 5 | | | | | | | |
| | 2011/02/08 | A4 | .0° ± | 6 | | | | | | | |
| | | | SHEET 1/1 | 7 | | | | | | | Conforms to The RoHS Instruction |

3.00mm SMT (Micro-Fit ; Single-Row) Wire to Board Power Connector Series.