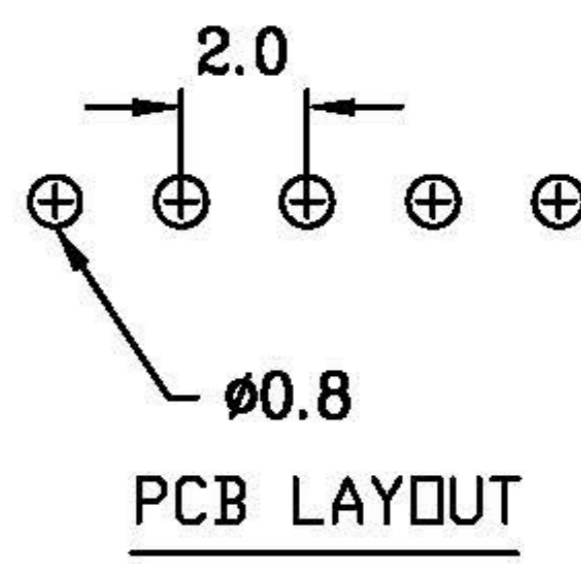
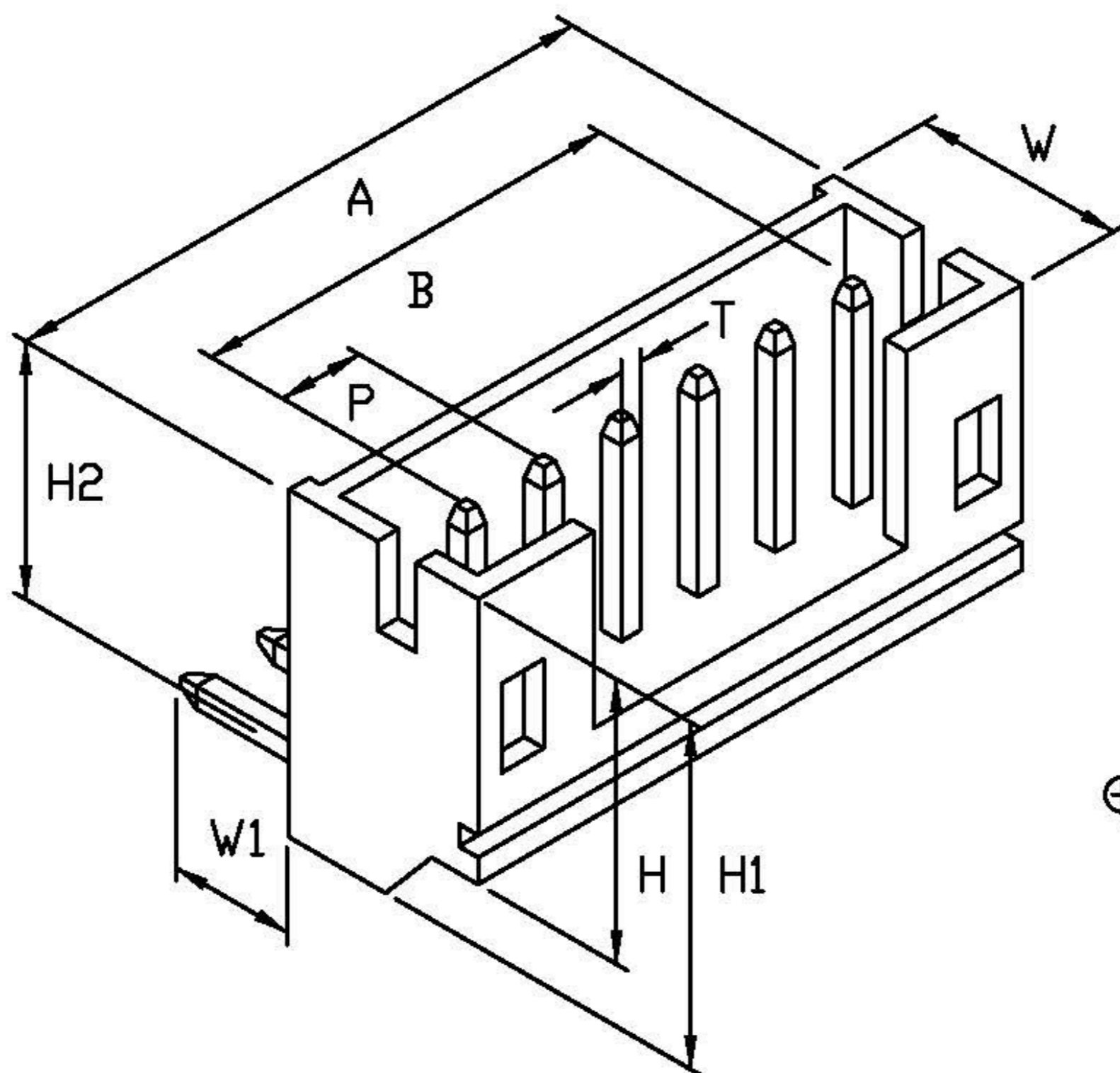


成品製造管制圖

DRAWING OF FINISHED PRODUCTS

禁止使用1級環境管理物質
Non-use Warranty for Level 1
Prohibited Substances in Product.

Pich 2.0mm
間距 (.079")



產品編號 Part No:

品名 Product: 塑膠公座 - DIP CONNECTOR - DIP

材質 Material: Housing: NYLON 94V-0

Contact Pin: Brass, Tin plated.

額定電壓/電流 Current Rating:

AC/DC 250V 3A (22~28AWG#)

絕緣阻抗 INS. Resistance: 1000M Ω Min.

耐電壓 Withstand Voltage: 800V AC/1minute.

適用溫度 Operation Temp: -25°C ~ +85°C

顏色 Colour: 本色 (Natural)

DIMENSION (MM)

T: 0.5 ± 0.03

P: 2.0 ± 0.1

H: 6.0 ± 0.2

H1: 7.6 ± 0.2

H2: 6.3 ± 0.3

W: 4.6 ± 0.2

W1: 3.4 ± 0.3

PIN	A ± 0.3	B ± 0.2
2R	6.0	2.0
3R	8.0	4.0
4R	10.0	6.0
5R	12.0	8.0
6R	14.0	10.0
7R	16.0	12.0
8R	18.0	14.0
9R	20.0	16.0
10R	22.0	18.0
11R	24.0	20.0
12R	26.0	22.0

* 本成品圖僅供參考, 若需做為承認用請聯絡就近業務員確認

(The drawing is for reference only,

please contact the sales division nearby for final confirmation if it's for approval purpose.)